

# CABLE MANAGEMENT

**TR Fastenings** is recognised throughout the industry for world class products & services

We manufacture, stock & distribute a vast range of industrial fasteners & components



[www.trfastenings.com](http://www.trfastenings.com)  
[sales@trfastenings.com](mailto:sales@trfastenings.com)  
Edition 5

# Cable Management

## Contents



Cable Ties					
				Twist Lock (Side Entry Curly Lock) TRSKLO	9
	Standard SDNYCT	3		Stand-Off Twist Lock TRSTL	10
	Releasable RENYCT	4		Stand-Off Twist Lock TRSTL-1	11
	Push Mount PMNYCT	4		Stand-Off Twist Lock TRSTL-3	12
	Screw Mount SMNYCT	5		Stand-Off Twist Lock TRSTL-6	13
	Releasable Arrowhead RANYCT	5		Twist Lock Kurly Lock TRKL	14
Tie Holders			Wire Saddles		
	Flat Tie Holder SDNYTB	5		Micro - Arrowhead TRMWSEA1 / TRMWSEA2	15
	Flat Tie Arrowhead TRFTH-3	6		Narrow - Arrowhead TRWS / TRWS-A	15
	Push Mount TRFTH-3A	6		Locking TRLWS	16
	Push Mount TRFTH-6	6		Locking - Locking Top TRWSLT	16
	Flat Tie Holder on Adhesive Base TRFTH-7 / TRFTH-7A-RT	6		Mini - Teardrop Head TRMWS	17
	Flat Tie Holder Through Hole TRFTH-9	7		Mini - Blind Head TRWSBH	17
	Flat Tie Holder Countersunk TRFTH-13S	7		Hinged Edge - Type 1 TRHEWSE-22	18
	Flat Tie Holder TRFTH-13R	7		Hinged Edge - Type 2 TRHEWSE-25	18
	Flat Tie Blind Hole TRFTH-15	7		Micro - Adhesive Base TRMWSSEBE / TRMWSB	19
	Flat Tie Holder TRFTH-24 / TRFTH-24-1	8		Micro - Adhesive Base TRMWSEB	20
	Flat Tie Holder TRFTH-28RS	8		Stand-Off Harness TRSHK	20
	Screw Mount Flat Tie Holder TRFTH-34 / TRFTH-35	8	Clips		
Twist Locks				Releaseable Adjustable Clip TRAKKL	21
	Standard TRTL	9		P Clips TRUC	21

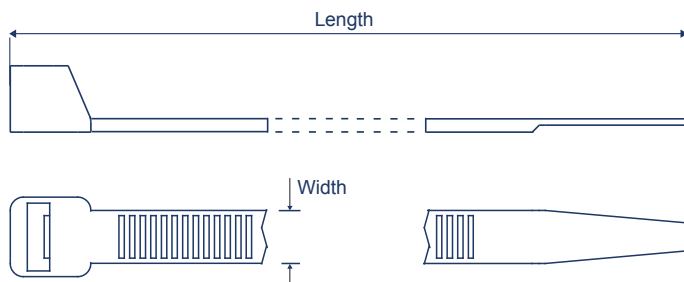
# Cable Management

## Cable Ties



### Standard Cable Ties - SDNYCT

Type: Standard Cable Ties  
 Material: Nylon 6/6 UL94-V2 / TMS 001  
 Also available: Flame Retardant UL94-V0, Heat Stabilised & Low Fume on application  
 Add HS to part number for heat stabilised, WR for weather resistant and FR for flame retardant  
 Colour: Natural / Black / Blue / Green / Red / Yellow / Brown  
 Max Bundle Diameter: 22 - 295 mm  
 Standard Pack: 100 per bag (SDNYCT-CT25100 also available in pack size 1000)



Part Number	Width mm (inch)	Length mm (inch)	Max Bundle Diameter mm (inch)	Standard Finishes Available	Minimum Tensile Strength kg (lbs)
SDNYCT-CT25100	2.5 (0.10)	100 (3.94)	22 (0.87)	N, BK, RD, BU, GN, YL, BN	8.1 (18)
SDNYCT-CT25120	2.5 (0.10)	120 (4.72)	30 (1.18)	N, BK	
SDNYCT-CT25160	2.5 (0.10)	160 (6.29)	40 (1.56)	N, BK	
SDNYCT-CT25200	2.5 (0.10)	200 (7.87)	53 (2.09)	N, BK	
SDNYCT-CT36140	3.6 (0.14)	140 (5.51)	33 (1.30)	N, BK, RD, BU, GN, YL, BN	18.2 (40)
SDNYCT-CT36200	3.6 (0.14)	200 (7.87)	53 (2.09)	N, BK	
SDNYCT-CT36300	3.6 (0.14)	300 (11.81)	76 (2.99)	N, BK	
SDNYCT-CT48160	4.8 (0.19)	160 (6.30)	38 (1.50)	N, BK	22.2 (50)
SDNYCT-CT48200	4.8 (0.19)	200 (7.87)	50 (1.97)	N, BK, RD, BU, GN, YL, BN	
SDNYCT-CT48250	4.8 (0.19)	250 (9.84)	60 (2.36)	N, BK	
SDNYCT-CT48300	4.8 (0.19)	300 (11.81)	76 (2.99)	N, BK, RD, BU, GN, YL, BN, SL	
SDNYCT-CT48370	4.8 (0.19)	370 (14.57)	102 (4.02)	N, BK, RD, BU, GN, YL, BN, SL	
SDNYCT-CT48430	4.8 (0.19)	430 (16.93)	110 (4.33)	N, BK	
SDNYCT-CT76200	7.6 (0.30)	200 (7.87)	50 (1.97)	N, BK	54.4 (120)
SDNYCT-CT76300	7.6 (0.30)	300 (11.81)	76 (2.99)	N, BK	
SDNYCT-CT76450	7.6 (0.30)	450 (17.72)	132 (5.20)	N, BK	
SDNYCT-CT76540	7.6 (0.30)	540 (21.26)	140 (5.51)	N, BK	
SDNYCT-CT76370	7.6 (0.30)	370 (14.57)	102 (4.02)	N, BK	
SDNYCT-CT90430	9 (0.35)	430 (16.93)	110 (4.33)	N, BK	79.4 (175)
SDNYCT-CT90530	9 (0.35)	530 (20.87)	140 (5.51)	N, BK	
SDNYCT-CT90710	9 (0.35)	710 (27.95)	190 (7.48)	N, BK	
SDNYCT-CT90780	9 (0.35)	780 (30.71)	228 (8.98)	N, BK	
SDNYCT-CT901020	9 (0.35)	1020 (40.16)	295 (11.61)	N, BK	114 (250)
SDNYCT-CT127580	12.7 (0.50)	580 (22.83)	152 (5.98)	N, BK	
SDNYCT-CT1271030	12.7 (0.50)	1030 (40.55)	295 (11.61)	N, BK	

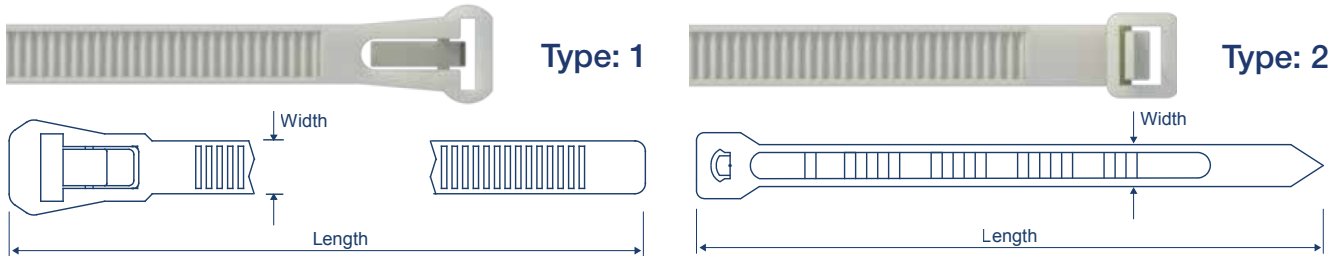


N = NATURAL, BK = BLACK, RD = RED, BU = BLUE, GN = GREEN, YL = YELLOW, BN = BROWN, SL = SILVER

Part number example -  
 2.5 x 100 in Black = SDNYCT-CT25100BLACK

### Releasable Cable Ties | RENYCT

Type Releasable Cable Ties  
 Material Nylon 6/6 UL94-V2 / TMS 001  
 Colour Natural / Black  
 Standard Pack 100 per bag



Part Number	Type	Approx Width mm (inch)	Approx. Length mm (inch)	Max Bundle Diameter mm (inch)	Minimum Loop Tensile Strength kg (lbs)
RENYCT-CT36100	2	3.6 (0.14)	100 (3.94)	33 (1.30)	18.2 (40)
RENYCT-CT48200	2	4.8 (0.19)	200 (7.87)	50 (1.97)	22.2 (50)
RENYCT-CT48300	2	4.8 (0.19)	300 (11.81)	86 (3.39)	22.2 (50)
RENYCT-CT48370	2	4.8 (0.19)	370 (14.57)	102 (4.02)	22.2 (50)
RENYCT-CT76200	1	7.6 (0.30)	200 (7.87)	50 (1.97)	54.4 (120)
RENYCT-CT76250	1	7.6 (0.30)	250 (9.84)	66 (2.60)	54.4 (120)
RENYCT-CT76300	1	7.6 (0.30)	300 (11.81)	89 (3.50)	54.4 (120)



Part number example -  
 7.6 x 250 in Black = RENYCT-CT76250BLACK

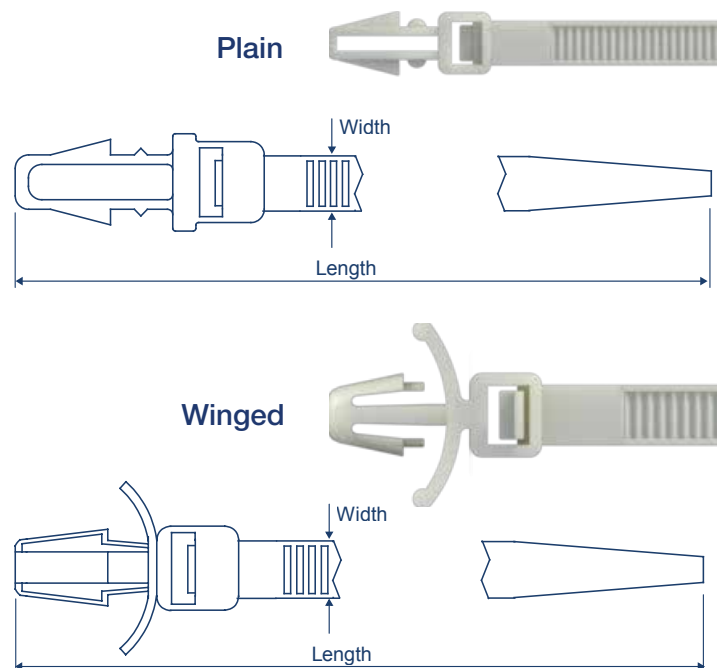
### Push Mount Cable Ties - Plain and Winged | PMNYCT

Type Push Mount Cable Ties  
 Material Nylon 6/6 UL94-V2 / TMS 001  
 Colour Natural / Black  
 Standard Pack 100 per bag

Part Number	Width mm	Length mm	Hole Size mm	Max Panel Thickness mm
<b>Plain</b>				
PMNYCT-CT48200	4.8	200	6.4	2.7
<b>Winged</b>				
PMNYCT-CT25100	2.5	100	3.6	3.5
PMNYCT-CT48100	4.8	100	6.4	2.7
PMNYCT-CT48200	4.8	200	5.6	3.5



Part number examples -  
 Plain 4.8 x 200 Black = PMNYCT-CT48200BLACK  
 Winged 4.8 x 200 Black = PMNYCT-CT48200BLACKWINGED



# Cable Management

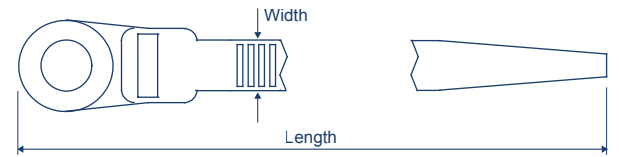
Cable Ties & Tie Holders



## Screw Mount Cable Ties | SMNYCT

Type: Screw Mount Cable Tie  
 Material: Nylon 6/6 V2 / TMS 001  
 Colour: Natural / Black  
 Standard Pack: 1,000 per bag

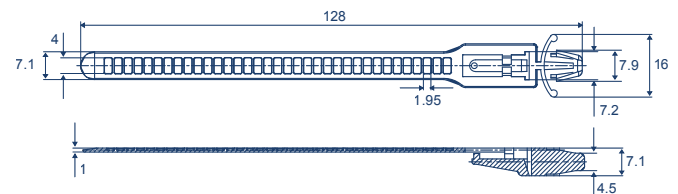
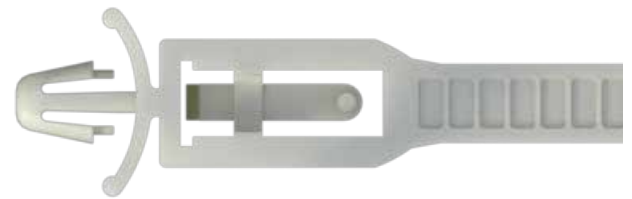
Part Number	Width mm	Length mm	Hole Size mm
SMNYCT-CT25110	2.5	110	3.2
SMNYCT-CT36150	3.6	150	4.0
SMNYCT-CT48200	4.8	200	4.7
SMNYCT-CT48300	4.8	300	4.7
SMNYCT-CT48370	4.8	370	4.7
SMNYCT-CT76300	7.6	300	6.0
SMNYCT-CT76400	7.6	380	6.0



Part number example - 7.6 x 400 Black = SMNYCT-CT76400BLACK

## Releasable Arrowhead Cable Ties | RANYCT

Type: Releasable Arrow Head Cable Tie  
 Material: Nylon 6/6 V2 / TMS 001  
 Nylon 6/6 V0 / TMS 019  
 Colour: Natural  
 Hole Dia: 6.35 mm  
 Panel Thickness: 1.6 mm  
 Max Bundle Diameter:  $\varnothing$  12 ~  $\varnothing$  30 mm  
 Unit: mm  
 Standard Pack: 1,000 per bag



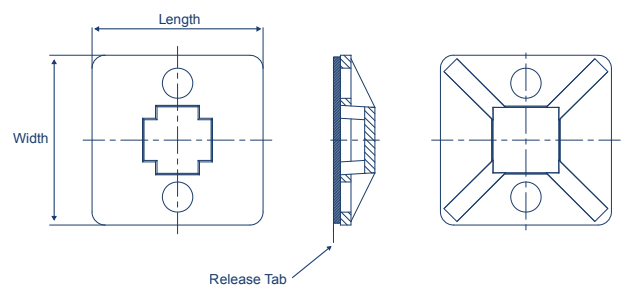
Part number examples -  
 Nylon 6/6 V2 = RANYCT-TRTOAH-18-01  
 Nylon 6/6 V0 = RANYCT-TRTOAH-18-19

## Flat Tie Holder | SDNYTB

Type: Flat Tie Holder  
 Material: Nylon 6/6 V2 / TMS 001  
 Colour: Natural / Black  
 Unit: mm  
 Standard Pack: 1,000 per bag



Part Number	Width mm	Length mm	Screw Hole Size mm	Max. Cable Tie Size mm
SDNYTB-CTAB1919	19	19	$\varnothing$ 3.5	3.6
SDNYTB-CTAB2828	28	28	$\varnothing$ 5.7	4.8



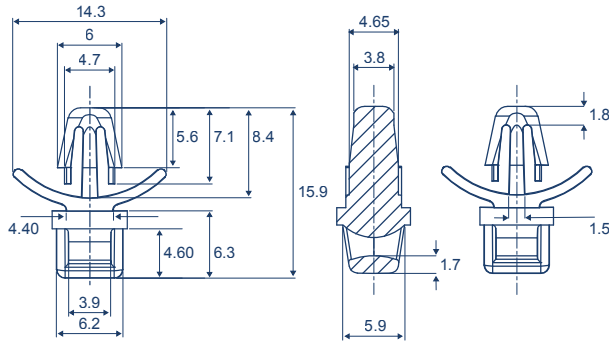
Part number example -  
 19 x 19 Black = SDNYTB-CTAB1919BLACK

### Flat Tie Holder - Arrowhead | TRFTH - 3

Type Flat Tie Holder - Arrowhead  
 Material Nylon 66 V2 / TMS 001  
 Nylon 66 V0 / TMS 019  
 Colour Natural  
 Hole Dia 4.75 ± 0.08 mm  
 Panel Thickness 0.79 ~ 1.98 mm  
 Unit mm  
 Standard Pack 1,000 per bag



Part number example -  
 TRFTH-3-01

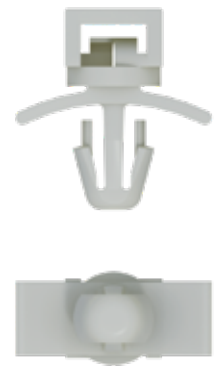
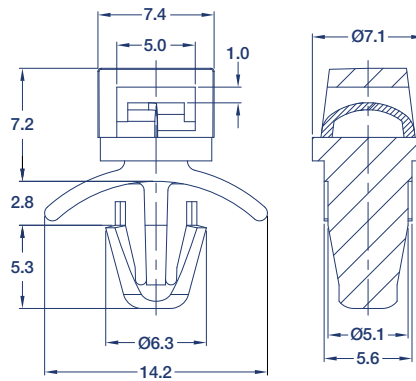


### Push Mount Tie Holder | TRFTH - 3A

Type Push Mount Tie Holder  
 Material Nylon 66 V2 / TMS 001  
 Nylon 66 V0 / TMS 019  
 Colour Natural  
 Hole Dia  $\varnothing 5.30 \pm 0.08\text{mm}$   
 Panel Thickness 0.80 ~ 2.00mm  
 Unit mm  
 Standard Pack 1,000 per bag



Part number example -  
 TRFTH-3A-01

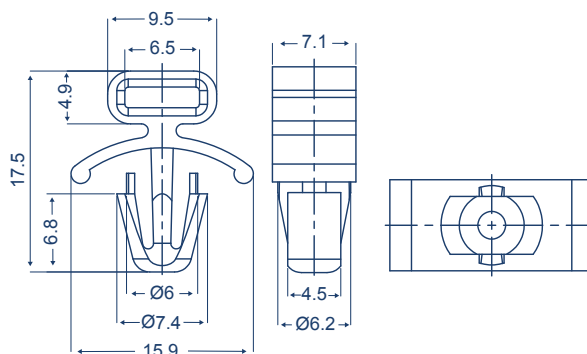


### Push Mount Tie Holder | TRFTH - 6

Type Push Mount Tie Holder  
 Material Nylon 66 V2 / TMS 001  
 Nylon 66 V0 / TMS 019  
 Colour Natural  
 Hole Dia  $\varnothing 6.35$   
 Panel Thickness 1.19 ~ 2.77 mm  
 Unit mm  
 Standard Pack 1,000 per bag



Part number example -  
 TRFTH-6-01

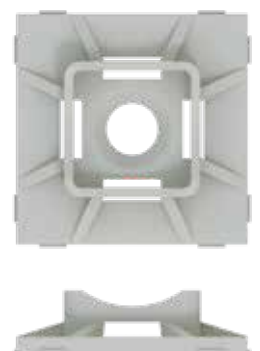
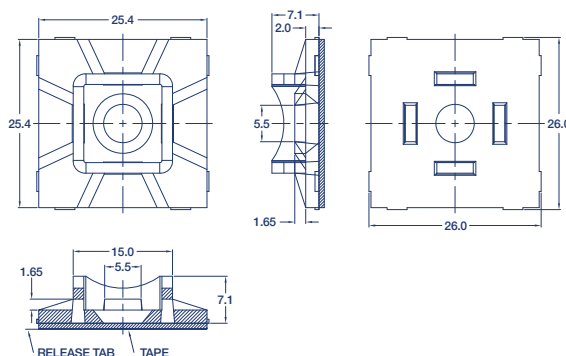


### Flat Tie Holder on Adhesive Base | TRFTH - 7 / TRFTH - 7A - RT

Type Flat Tie Holder on Adhesive Base  
 Material Nylon 66 V2 / TMS 001  
 Nylon 66 V0 / TMS 019  
 Colour Natural  
 Unit mm  
 Standard Pack 1,000 per bag



Part number examples -  
 TRFTH-7-01  
 TRFTH-7A-RT (With adhesive tape)

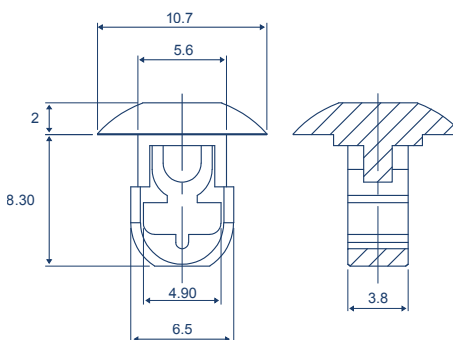


### Flat Tie Holder - Through Hole | TRFTH - 9

Type	Flat Tie Holder - Through Hole
Material	Nylon 66 V2 / TMS 001 Nylon 66 V0 / TMS 019
Colour	Natural
Hole Dia	6.35 mm
Panel Thickness	3.18 mm
Standard Pack	1,000 per bag



Part number example -  
TRFTH-9-01

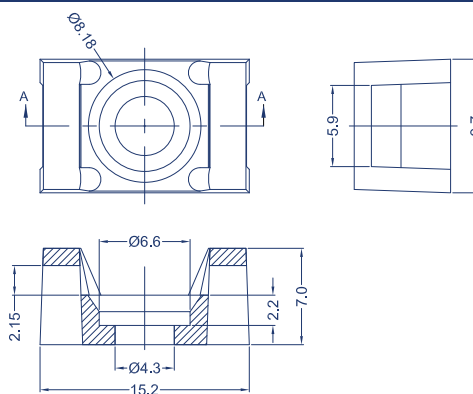


### Flat Tie Holder Countersunk | TRFTH - 13S

Type	Flat Tie Holder Countersunk
Material	Nylon 66 V2 / TMS 001 Nylon 66 V0 / TMS 019
Colour	Natural
Unit	mm
Standard Pack	1,000 per bag



Part number example -  
TRFTH-13S-01

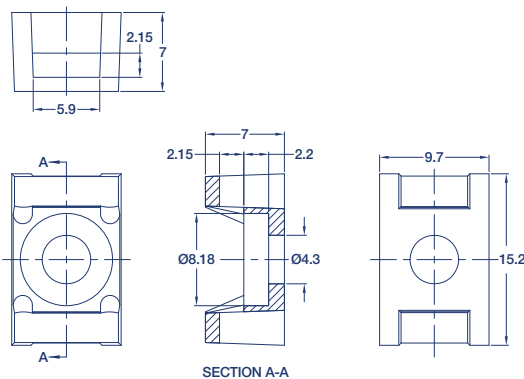


### Flat Tie Holder | TRFTH - 13R

Type	Flat Tie Holder
Material	Nylon 66 V2 / TMS 001 Nylon 66 V0 / TMS 019
Colour	Natural
Unit	mm
Standard Pack	1,000 per bag



Part number example -  
TRFTH-13R-01

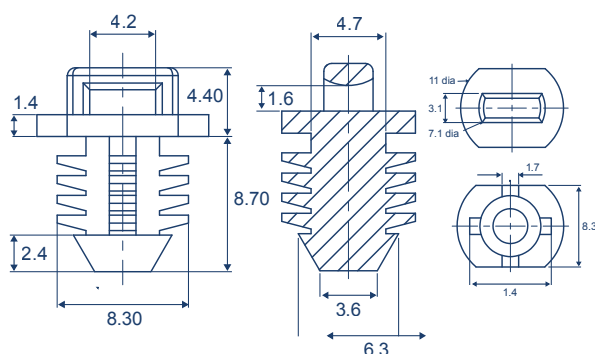


### Flat Tie Holder - Blind Hole | TRFTH-15

Type	Flat Tie Holder - Blind Hole
Material	Nylon 66 V2 / TMS 001 Nylon 66 V0 / TMS 019
Colour	Natural
Hole Dia	7.92 ± 0.08 mm
Panel Thickness	6.4 mm Min
Unit	mm
Standard Pack	1,000 per bag



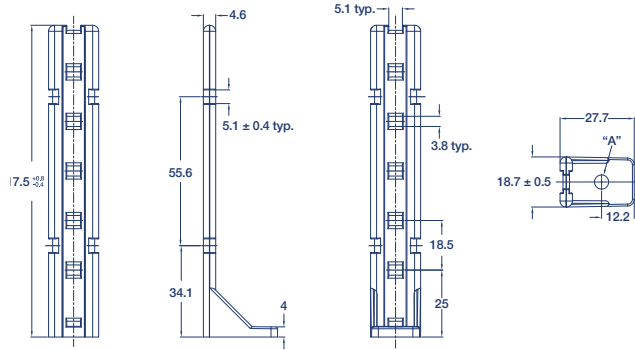
Part number example -  
TRFTH-15-01





### Flat Tie Holder | TRFTH - 24 / TRFTH - 24 - 1

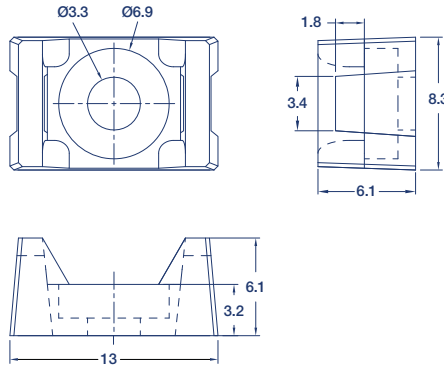
Type Flat Tie Holder  
 Material Nylon 66 V2 / TMS 001  
 Colour Natural  
 TRFTH-24 Hole Dia  $\varnothing 5.30 \pm 0.08\text{mm}$   
 TRFTH-24-1 Hole Dia  $\varnothing 6.40 \pm 0.08\text{mm}$   
 Unit mm  
 Standard Pack 1,000 per bag



Part number examples -  
 TRFTH-24-01  
 TRFTH-24-1-01

### Flat Tie Holder | TRFTH - 28RS

Type Flat Tie Holder  
 Material Nylon 66 V2 / TMS 001  
 Nylon 66 V0 / TMS 019  
 Colour Natural / Black  
 Unit mm  
 Standard Pack 1,000 per bag



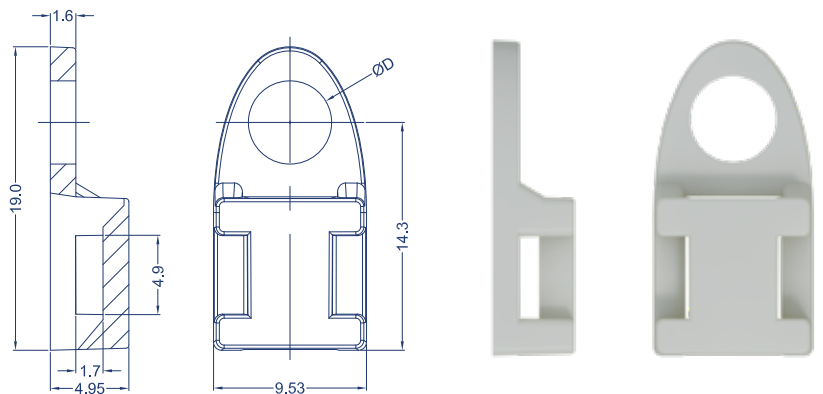
For use with: TRSR3035 Rivet / TRSR3100 Rivet / M3 Screw



Part number example -  
 TRFTH-28RS-01

### Screw Mount Flat Tie Holder | TRFTH - 34 / TRFTH - 35

Type Push Mount Tie Holder  
 Material Nylon 66 V2 / TMS 001  
 Colour Natural  
 TRFTH-34 Hole Dia  $\varnothing 4.30 \pm 0.08\text{mm}$   
 TRFTH-35 Hole Dia  $\varnothing 5.10 \pm 0.08\text{mm}$   
 Unit mm  
 Standard Pack 1,000 per bag

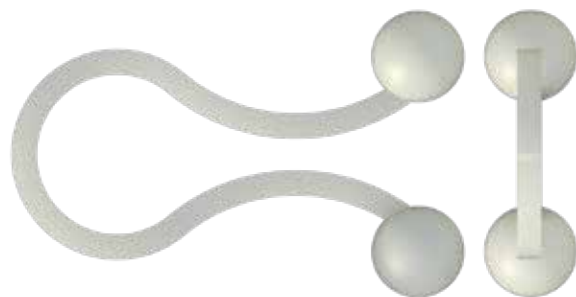
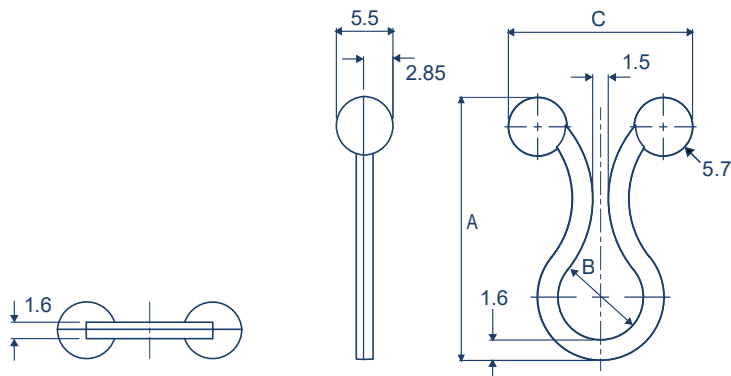


Part number examples -  
 TRFTH-34-01  
 TRFTH-35-01



### Twist Lock | TRTL

Type: Twist Lock  
 Material: Nylon 66 V2 / TMS 001  
 Nylon 66 V0 / TMS 019  
 Colour: Natural / Black  
 Unit: mm  
 Standard Pack: 1,000 per bag



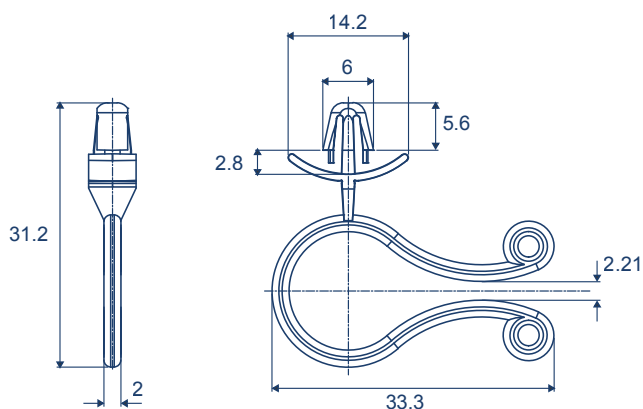
Part Number	"A"	"B"	"C"
TRTL-250-01	22.9	5.1 - 7.6	17.9
TRTL-350-01	26.2	7.6 - 10.2	18.5
TRTL-450-01	30.5	10.2 - 12.7	19.0
TRTL-950-01	43.3	25.4 max	19.7



Part number examples -  
 Nylon 6/6 V2 = TRTL-250-01  
 Nylon 6/6 V0 = TRTL-250-19

### Twist Lock (Side Entry Curly Lock) | TRSKLO

Type: Side Entry Curly Lock  
 Material: Nylon 66 V2 / TMS 001  
 Nylon 66 V0 / TMS 019  
 Colour: Natural  
 Hole:  $4.75 \pm 0.05$  mm  
 Panel Thickness: 1.6 mm  
 Unit: mm  
 Standard Pack: 1,000 per bag



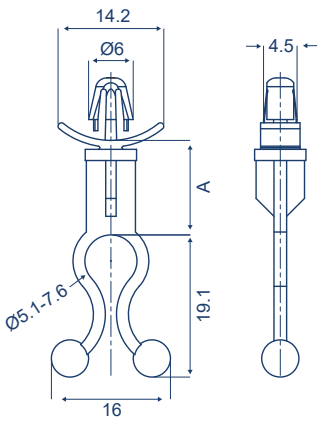
Part number examples -  
 Nylon 6/6 V2 = TRSKLO-550-01  
 Nylon 6/6 V0 = TRSKLO-550-19

### Stand-Off Twist Lock | TRSTL

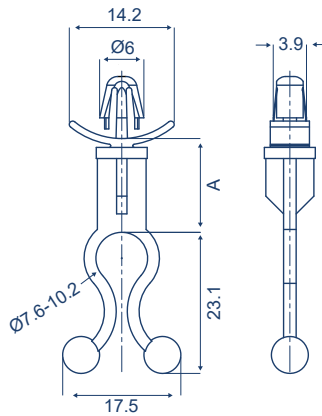
Type Stand-off Twist Lock  
 Material Nylon 6/6 V2 / TMS 001  
 Nylon 6/6 V0 / TMS 019  
 Colour Natural  
 Unit mm  
 Standard Pack 1,000 per bag  
 Hole  $4.75 \pm 0.08\text{mm}$   
 Panel Thickness 0.8 - 2.0mm



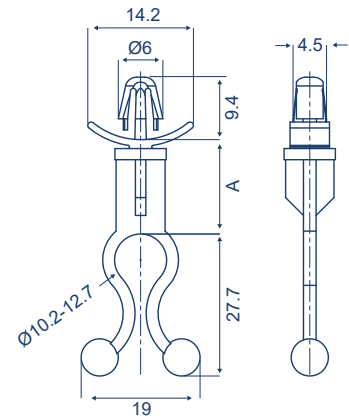
TRSTL - 250



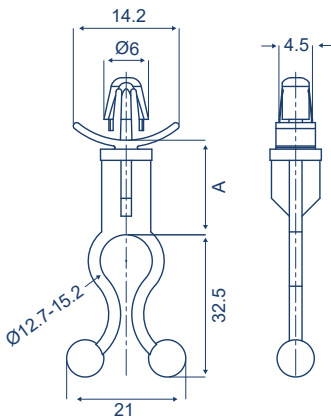
TRSTL - 350



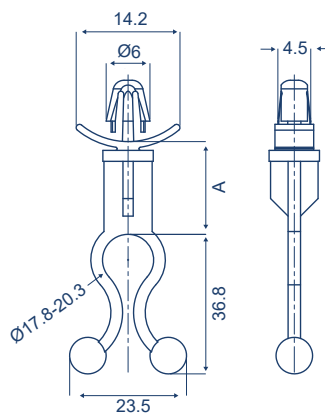
TRSTL - 450



TRSTL - 600



TRSTL - 750



TRSTL - 250	TRSTL - 350	TRSTL - 450	TRSTL - 600	TRSTL - 750	
-------------	-------------	-------------	-------------	-------------	--

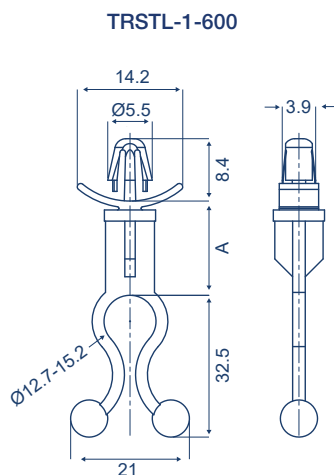
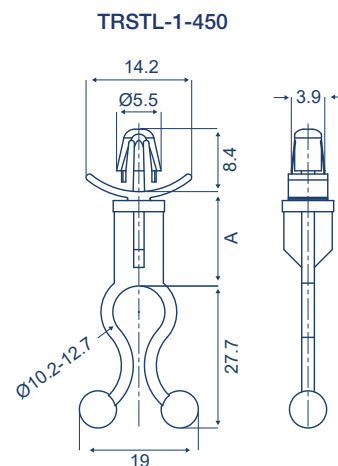
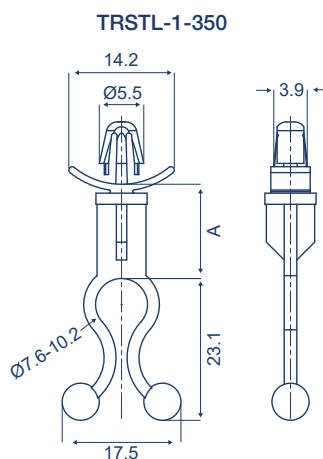
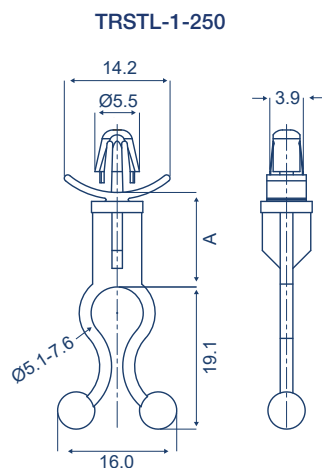
Part Number	Part Number	Part Number	Part Number	Part Number	"A" ± 0.4
TRSTL - 250 - 3 - 01	TRSTL - 350 - 3 - 01	TRSTL - 450 - 3 - 01	TRSTL - 600 - 3 - 01	TRSTL - 750 - 3 - 01	4.8
TRSTL - 250 - 8 - 01	TRSTL - 350 - 8 - 01	TRSTL - 450 - 8 - 01	TRSTL - 600 - 8 - 01	TRSTL - 750 - 8 - 01	12.7
TRSTL - 250 - 12 - 01	TRSTL - 350 - 12 - 01	TRSTL - 450 - 12 - 01	TRSTL - 600 - 12 - 01	TRSTL - 750 - 12 - 01	19.1
TRSTL - 250 - 16 - 01	TRSTL - 350 - 16 - 01	TRSTL - 450 - 16 - 01	TRSTL - 600 - 16 - 01	TRSTL - 750 - 16 - 01	25.4
TRSTL - 250 - 20 - 01	TRSTL - 350 - 20 - 01	TRSTL - 450 - 20 - 01	TRSTL - 600 - 20 - 01	TRSTL - 750 - 20 - 01	31.8



Part number example -  
 Nylon 6/6 V2 = TRSTL-250-20-01

### Stand-Off Twist Lock | TRSTL-1

Type Stand-off Twist Lock  
 Material Nylon 6/6 V2 / TMS 001  
 Nylon 6/6 V0 / TMS 019  
 Colour Natural  
 Unit mm  
 Standard Pack 1,000 per bag  
 Hole  $4.0 \pm 0.08\text{mm}$   
 Panel Thickness 0.8 - 2.0mm



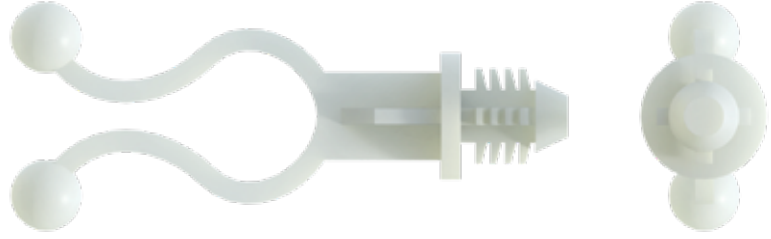
TRSTL-1-250		TRSTL-1-350		TRSTL-1-450		TRSTL-1-600		
Part Number		Part Number		Part Number		Part Number		A
TRSTL-1-250-3-01		TRSTL-1-350-3-01		TRSTL-1-450-3-01		TRSTL-1-600-3-01		4.8
TRSTL-1-250-8-01		TRSTL-1-350-8-01		TRSTL-1-450-8-01		TRSTL-1-600-8-01		12.7
TRSTL-1-250-12-01		TRSTL-1-350-12-01		TRSTL-1-450-12-01		TRSTL-1-600-12-01		19.1
TRSTL-1-250-16-01		TRSTL-1-350-16-01		TRSTL-1-450-16-01		TRSTL-1-600-16-01		25.4
TRSTL-1-250-20-01		TRSTL-1-350-20-01		TRSTL-1-450-20-01		TRSTL-1-600-20-01		31.8



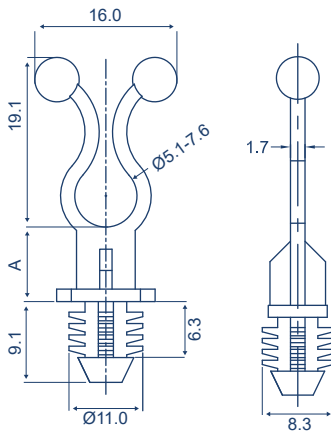
Part number example -  
 Nylon 6/6 V2 = TRSTL-1-250-20-01

### Stand-Off Twist Lock | TRSTL-3

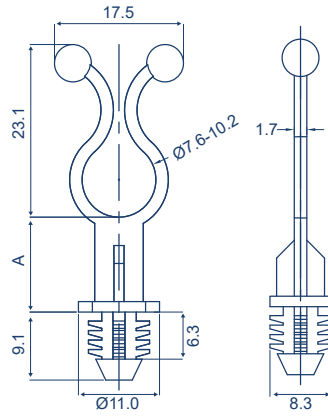
Type Stand-off Twist Lock  
 Material Nylon 6/6 V2 / TMS 001  
 Nylon 6/6 V0 / TMS 019  
 Colour Natural  
 Unit mm  
 Standard Pack 1,000 per bag  
 Hole  $7.9 \pm 0.08\text{mm}$   
 Panel Thickness 6.4 mm



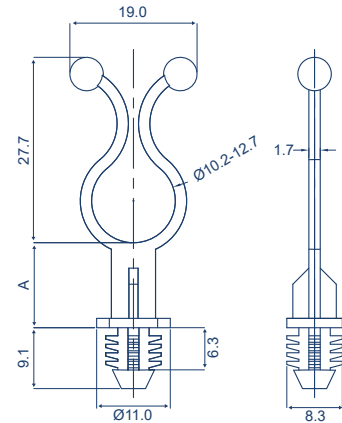
TRSTL-3-250



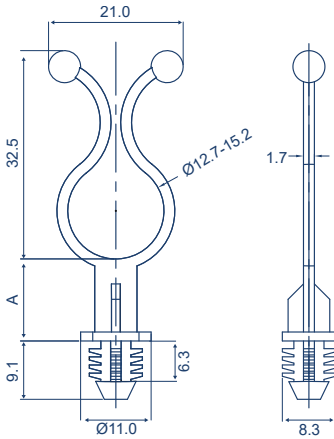
TRSTL-3-350



TRSTL-3-450



TRSTL-3-600



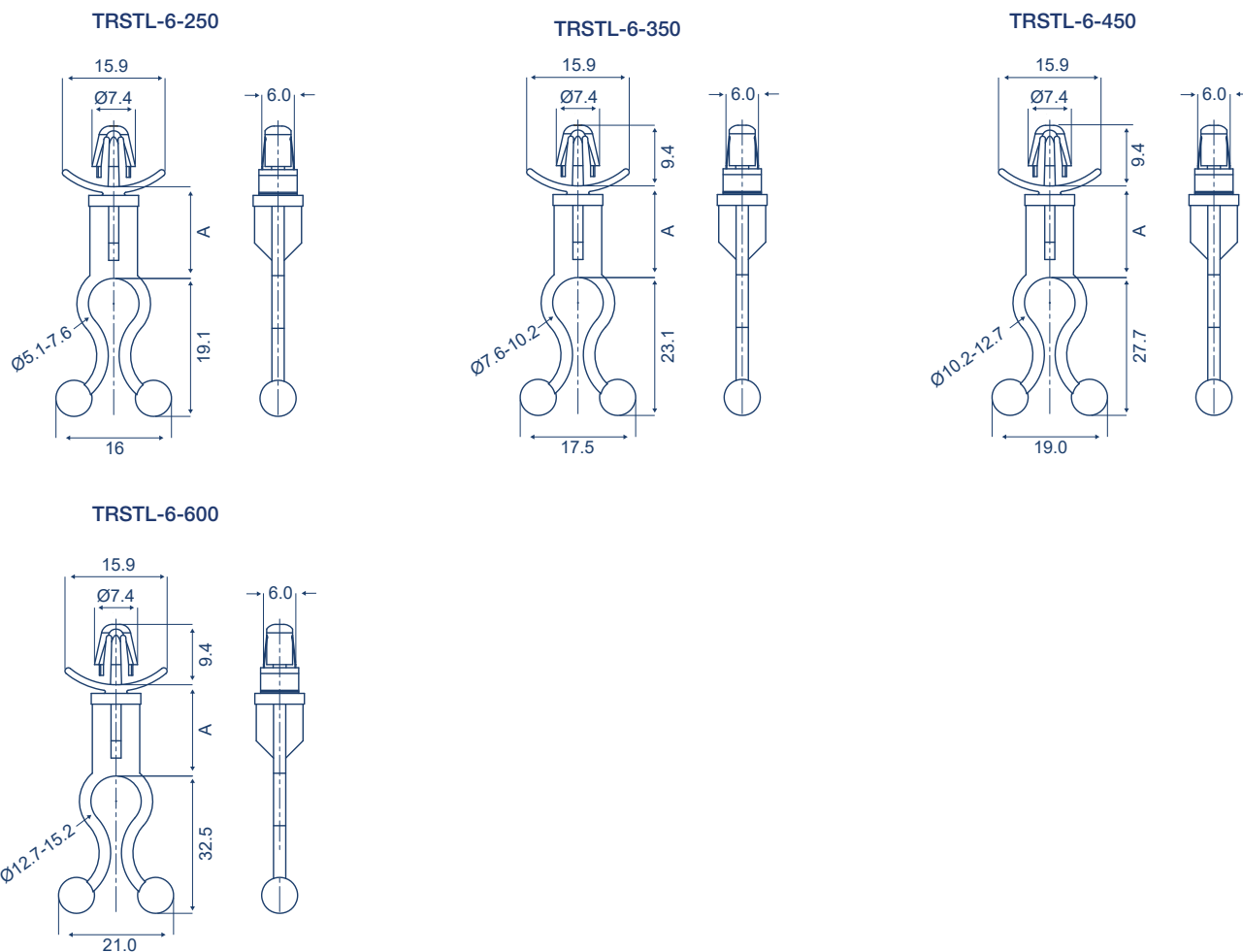
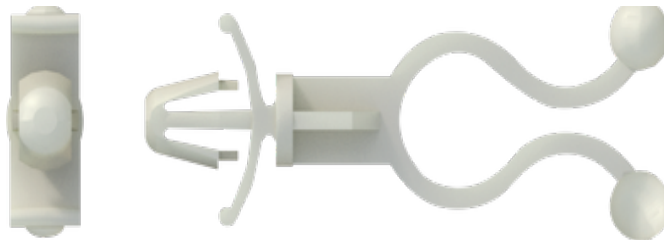
TRSTL-3-250		TRSTL-3-350		TRSTL-3-450		TRSTL-3-600		"A" ± 0.4
Part Number	Part Number	Part Number	Part Number	Part Number	Part Number	Part Number	Part Number	
TRSTL-3-250-3-01	TRSTL-3-350-3-01	TRSTL-3-450-3-01	TRSTL-3-600-3-01					4.8
TRSTL-3-250-8-01	TRSTL-3-350-8-01	TRSTL-3-450-8-01	TRSTL-3-600-8-01					12.7
TRSTL-3-250-12-01	TRSTL-3-350-12-01	TRSTL-3-450-12-01	TRSTL-3-600-12-01					19.1
TRSTL-3-250-16-01	TRSTL-3-350-16-01	TRSTL-3-450-16-01	TRSTL-3-600-16-01					25.4
TRSTL-3-250-20-01	TRSTL-3-350-20-01	TRSTL-3-450-20-01	TRSTL-3-600-20-01					31.8



Part number example -  
 Nylon 6/6 V2 = TRSTL-3-250-20-01

### Stand-Off Twist Lock | TRSTL-6

Type	Stand-off Twist Lock
Material	Nylon 6/6 V2 / TMS 001 Nylon 6/6 V0 / TMS 019
Colour	Natural
Unit	mm
Standard Pack	1,000 per bag
Hole	6.0 ± 0.08mm
Panel Thickness	0.8-2.0mm



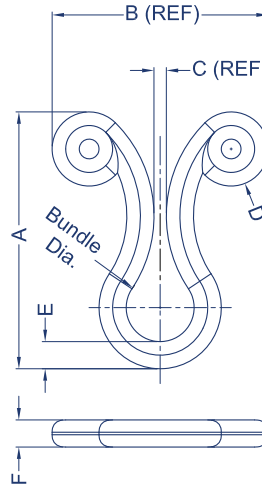
TRSTL-6-250		TRSTL-6-350		TRSTL-6-450		TRSTL-6-600		
Part Number		Part Number		Part Number		Part Number		"A" ± 0.4
TRSTL-6-250-3-01		TRSTL-6-350-3-01		TRSTL-6-450-3-01		TRSTL-6-600-3-01		4.8
TRSTL-6-250-8-01		TRSTL-6-350-8-01		TRSTL-6-450-8-01		TRSTL-6-600-8-01		12.7
TRSTL-6-250-12-01		TRSTL-6-350-12-01		TRSTL-6-450-12-01		TRSTL-6-600-12-01		19.1
TRSTL-6-250-16-01		TRSTL-6-350-16-01		TRSTL-6-450-16-01		TRSTL-6-600-16-01		25.4
TRSTL-6-250-20-01		TRSTL-6-350-20-01		TRSTL-6-450-20-01		TRSTL-6-600-20-01		31.8



Part number example -  
Nylon 6/6 V2 = TRSTL-6-250-20-01

### Twist Lock Kurly Lock | TRKL

Type Twist Lock Kurly Lock  
 Material Nylon 6/6 V2 / TMS 001  
 Colour Natural  
 Unit mm  
 Standard Pack 1,000 per bag

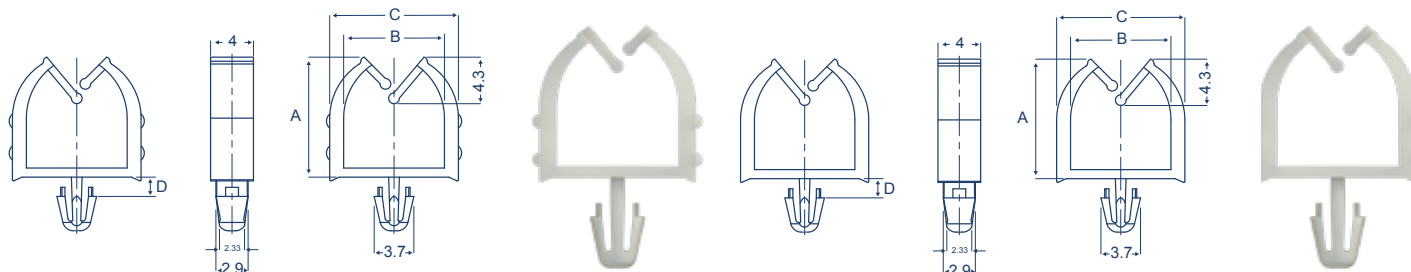


Part number example -  
 Nylon 6/6 V2 = TRKL-125-01

Part Number	A	B	C	D	E	F	Bundle Dia
TRKL-125	12.2	9.5	0.6	3.5	1.4	1.4	3.2 - 3.8
TRKL-200	20.8	17.5	1.0	6.0	2.2	2.2	4.1 - 6.1
TRKL-250	23.0	20.0	1.5	6.5	2.0	2.0	5.1 - 7.6
TRKL-350	26.2	20.0	1.5	6.5	2.0	2.0	7.6 - 10.2
TRKL-450	30.5	20.0	1.5	6.5	2.0	2.0	10.2 - 12.7
TRKL-600	31.8	20.0	1.5	6.5	2.0	2.0	14.0 - 16.5
TRKL-750	38.6	20.0	1.5	6.5	2.0	2.0	17.8 - 20.3

### Micro Wire Saddle - Arrowhead | TRMWSEA1 | TRMWSEA2

Type: Micro Wire Saddle - Arrowhead  
 Material: Nylon 6/6 V2 / TMS 001  
 Nylon 6/6 V0 / TMS 019  
 Colour: Natural  
 Unit: Standard Pack  
 1,000 per bag



Part: TRMWSEA1

Part Number	"A"	"B"	"C"	"D"	Panel	Hole
TRMWSEA1 - 1 - 01	7.3	6.7	9.1	1.8	1.6	3.0
TRMWSEA1 - 2 - 01	9.1	8.2	10.8			
TRMWSEA1 - 3 - 01	11.2	9.4	12.0			
TRMWSEA1 - 4 - 01	13.0	9.4	12.0			

Part: TRMWSEA2

Part Number	"A"	"B"	"C"	"D"	Panel	Hole
TRMWSEA2 - 1 - 01	7.3	6.7	9.1	1.8	1.6	3.5
TRMWSEA2 - 2 - 01	9.1	8.2	10.8			
TRMWSEA2 - 3 - 01	11.2	9.4	12.0			
TRMWSEA2 - 4 - 01	13.0	9.4	12.0			

TRMWSEA1 - 1 - 1 - 01	7.3	6.7	9.1	2.6	2.4	3.0
TRMWSEA1 - 1 - 2 - 01	9.1	8.2	10.8			
TRMWSEA1 - 1 - 3 - 01	11.2	9.4	12.0			
TRMWSEA1 - 1 - 4 - 01	13.0	9.4	12.0			

TRMWSEA2 - 1 - 1 - 01	7.3	6.7	9.1	1.8	2.4	3.5
TRMWSEA2 - 1 - 2 - 01	9.1	8.2	10.8			
TRMWSEA2 - 1 - 3 - 01	11.2	9.4	12.0			
TRMWSEA2 - 1 - 4 - 01	13.0	9.4	12.0			



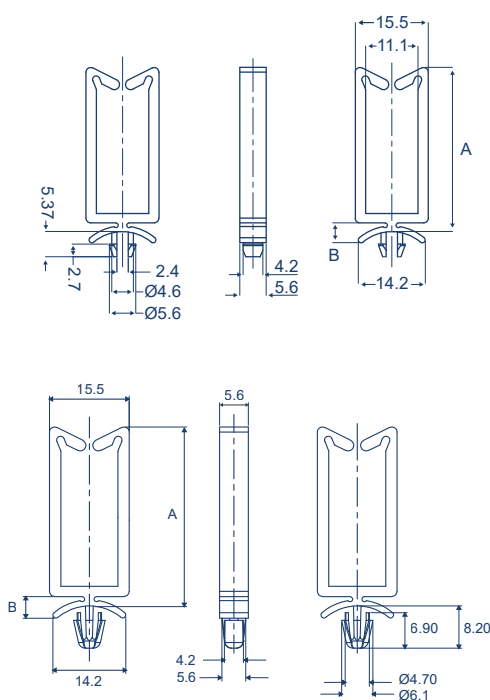
Part number examples -  
 Nylon 6/6 V2 = TRMWSEA1-1-01  
 Nylon 6/6 V0 = TRMWSEA1-1-19

TRMWSEA1 = 3.0 mm Hole  
 TRMWSEA2 = 3.5 mm Hole

### Narrow Wire Saddle (Arrowhead) | TRWS / TRWS - A

Type: Narrow Wire Saddle Arrowhead  
 Material: Nylon 6/6 V2 / TMS 001  
 Nylon 6/6 V0 / TMS 019  
 Colour: Natural  
 Hole Dia: 4.75 ± 0.08 mm  
 Unit: mm  
 Standard Pack: 1,000 per bag

Part Number Type 1	Part Number Type 2	Part Number Type 2
TRWS - 1 - 01	TRWS - A - 1 - 01	TRWS - A - 2 - 1 - 01
TRWS - 2 - 01	TRWS - A - 2 - 01	TRWS - A - 2 - 2 - 01
TRWS - 3 - 01	TRWS - A - 3 - 01	TRWS - A - 2 - 3 - 01
TRWS - 4 - 01	TRWS - A - 4 - 01	TRWS - A - 2 - 4 - 01
Panel Thickness 1.6mm	Panel Thickness 1.6mm	Panel Thickness 3.2mm
B: 4.2mm	B: 2.8mm	B: 4.2mm



Type: 1

Type: 2



Part number examples -  
 Nylon 6/6 V2 = TRWS-1-01  
 Nylon 6/6 V0 = TRWS-1-19

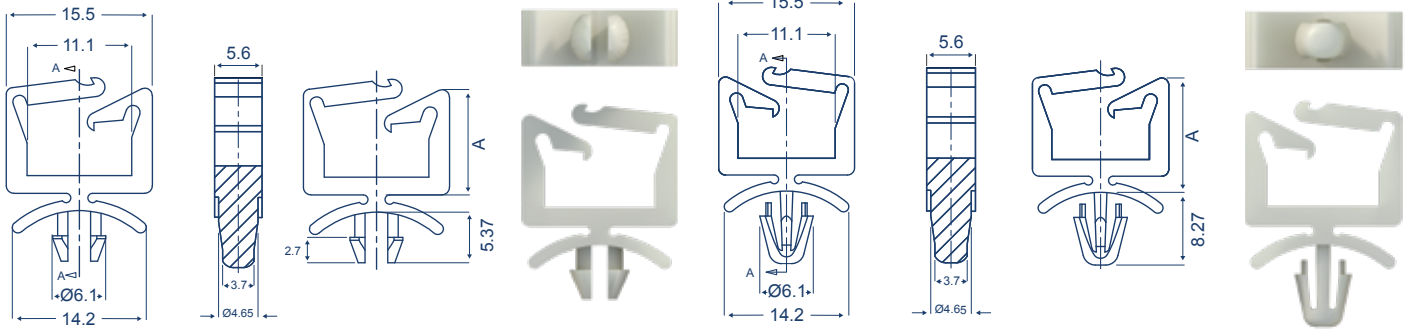


### Locking Wire Saddle | TRLWS

Type Locking Wire Saddle (Arrowhead)  
 Material Nylon 6/6 V2 / TMS 001  
 Nylon 6/6 V0 / TMS 019  
 Colour Natural  
 Hole Dia 4.75 ± 0.08 mm  
 Unit mm  
 Standard Pack 1,000 per bag

#### Type 1

#### Type 2/2A



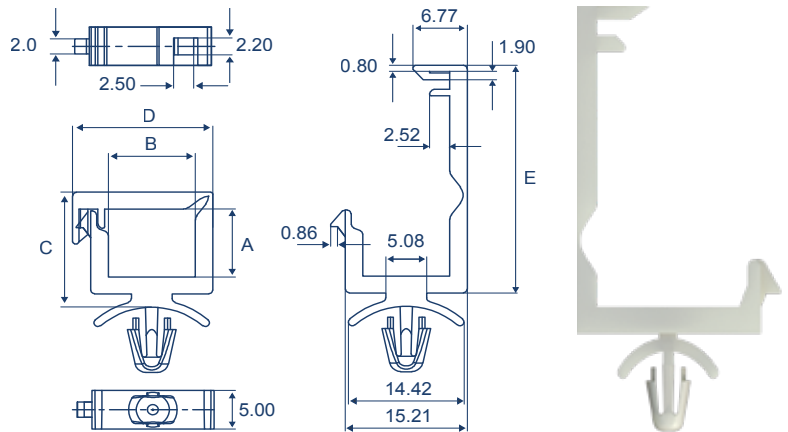
Part Number - Type 1	Part Number - Type 2	Part Number - Type 2 A	"A" ± 0.4
TRLWS - 1 - 01	TRLWS - A - 1 - 01	TRLWS - A - 2 - 1 - 01	13.0
TRLWS - 2 - 01	TRLWS - A - 2 - 01	TRLWS - A - 2 - 2 - 01	18.0
TRLWS - 3 - 01	TRLWS - A - 3 - 01	TRLWS - A - 2 - 3 - 01	27.2
TRLWS - 4 - 01	TRLWS - A - 4 - 01	TRLWS - A - 2 - 4 - 01	35.1
<b>1</b>	<b>2</b>	<b>2 A</b>	<b>Type</b>
1.6 mm	1.6 mm	3.2 mm	Panel Thickness



Part number examples -  
 Nylon 6/6 V2 = TRLWS-4-01  
 Nylon 6/6 V0 = TRLWS-4-19

### Locking Wire Saddle Locking Top | TRWSLT

Type Locking Wire Saddle Locking Top  
 Material Nylon 6/6 V2 / TMS 001  
 Colour Natural  
 Hole Dia & Panel Thickness  $\varnothing 4.8 \pm 0.1$  mm\* 1.57 mm  
 Unit mm  
 Standard Pack 1,000 per bag



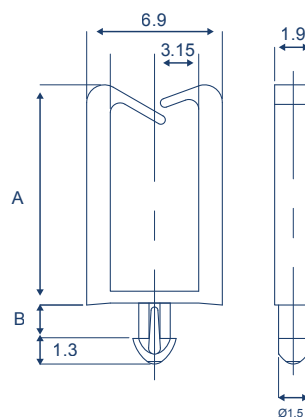
Part Number	"A"	"B"	"C"	"D"	"E"
TRWSLT - 01A - 01	4.8	10.7	10.6	16.8	25.5
TRWSLT - 01 - 2 - 01	8.8	10.7	14.6	16.8	29.7



Part number example -  
 Nylon 6/6 V2 = TRWSLT-01A-01

### Mini Wire Saddle - Teardrop Head | TRMWS

Type Mini Wire Saddle - Teardrop Head  
 Material Nylon 6/6 V2 / TMS 001  
 Nylon 6/6 V0 / TMS 019  
 Colour Natural  
 Hole Dia 1.75 ± 0.05 mm  
 Unit mm  
 Standard Pack 1,000 per bag



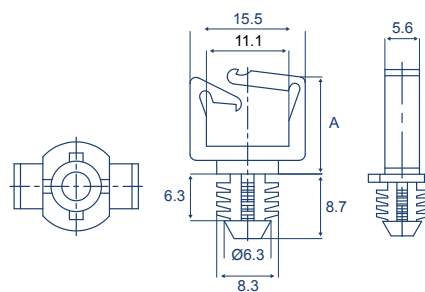
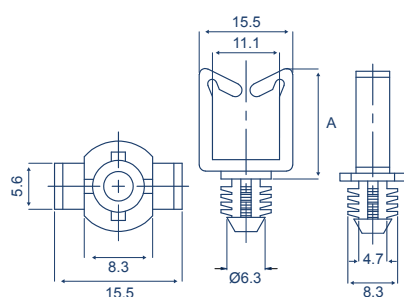
Part Number	"A"	"B"	Panel Thickness
TRMWS - 1 - 01	5.8	1.70	1.57
TRMWS - 2 - 01	11.2	1.70	1.60
TRMWS - 3 - 01	11.2	2.30	2.20
TRMWS - 1 - 1 - 01	5.8	2.45	2.36



Part number examples -  
 Nylon 6/6 V2 = TRMWS-1-1-01  
 Nylon 6/6 V0 = TRMWS-1-1-19

### Mini Wire Saddle - Blind Head | TRWSBH

Type Mini Wire Saddle - Blind Head  
 Material Nylon 6/6 V2 / TMS 001  
 Colour Natural  
 Unit mm  
 Standard Pack 1,000 per bag



Part Number - Type 1	Part Number - Type 2	"A" ± 0.4
TRWSBH - 1 - 01	TRLWSBH - 1 - 01	13.0
TRWSBH - 2 - 01	TRLWSBH - 2 - 01	18.3
TRWSBH - 3 - 01	TRLWSBH - 3 - 01	27.2
TRWSBH - 4 - 01	TRLWSBH - 4 - 01	35.6
Type	1	2
Hole Dia.	7.9 ± 0.08 mm	7.9 ± 0.08 mm
Panel Thickness	6.4 mm	6.4 mm

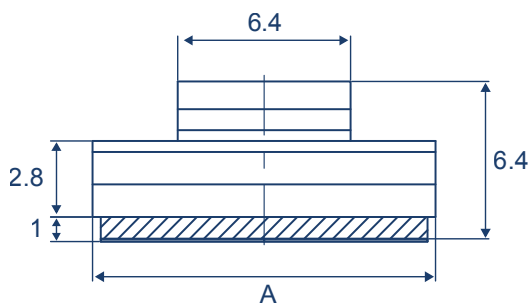
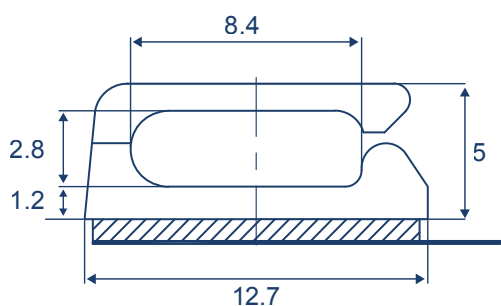


Part number example -  
 Nylon 6/6 V2 = TRWSBH-4-01



### Micro Wire Saddle on Adhesive Base - TRMWSSEBE

Type: Micro Wire Saddle on Adhesive Base  
 Material: Nylon 6/6 V2 / TMS 001  
 Colour: Natural  
 Unit: mm  
 Standard Pack: 1,000 per bag



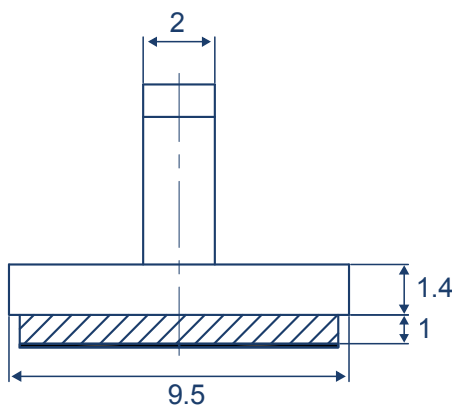
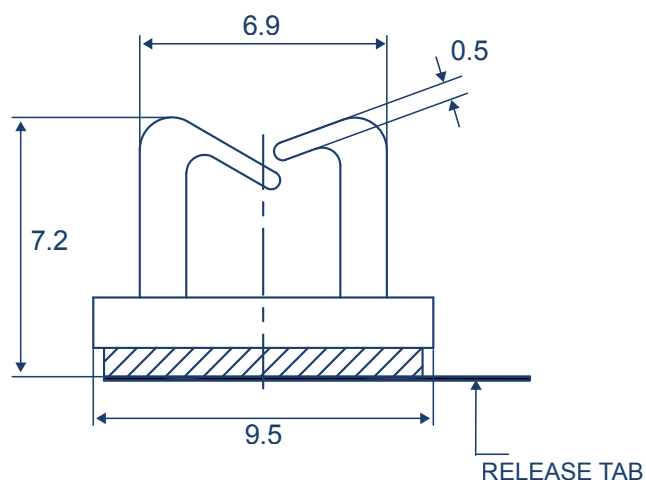
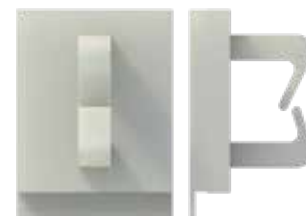
Part Number	"A" ± 0.4	Adhesive Size
TRMWSSEBE - 1 - 01A2 - RT	12.7	12.7x12.7x0.8
TRMWSSEB - 1 - 01A2 - RT	9.5	12.7x9.5x0.8



Part number example -  
 Nylon 6/6 V2 = TRMWSSEBE-1-01A2-RT

### Micro Wire Saddle on Adhesive Base - TRMWSB

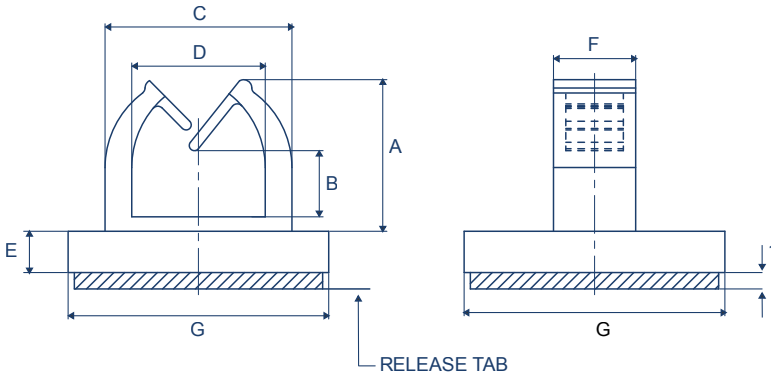
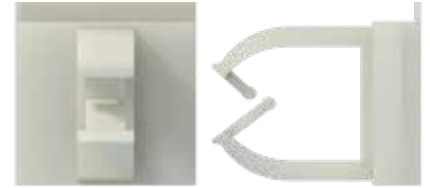
Type: Micro Wire Saddle on Adhesive Base  
 Material: Nylon 6/6 V2 / TMS 001  
 Colour: Natural  
 Unit: mm  
 Standard Pack: 1,000 per bag  
 Adhesive Size: 9.5x9.5x0.8



Part number example -  
 Nylon 6/6 V2 = TRMWSB-1-01A2-RT

### Micro Wire Saddle on Adhesive Base - TRMWSEB

Type: Micro Wire Saddle on Adhesive Base  
 Material: Nylon 6/6 V2 / TMS 001  
 Colour: Natural  
 Unit: mm  
 Standard Pack: 1,000 per bag



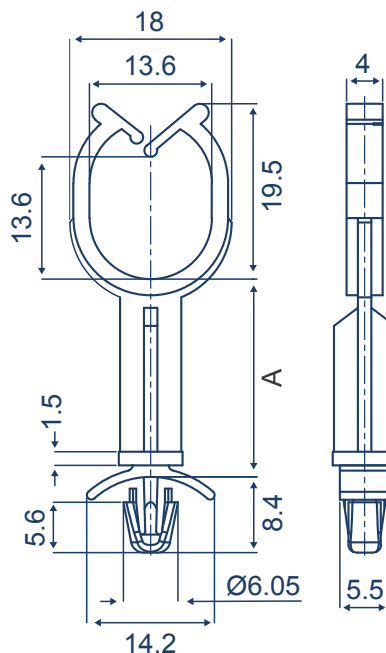
Part Number	Adhesive Size	"A"	"B"	"C"	"D"	"E"	"F"	"G"
TRMWSEB - 1 - 01A2 - RT	9.4x9.4x0.8	4.2	1.0	7.1	4.6	1.5	2.0	9.4
TRMWSEB - 2 - 01A2 - RT		6.0	2.8					
TRMWSEB - 3 - 01A2 - RT	12.7x12.7x0.8	7.4	3.2	9.1	6.4	2.0	4.0	12.7
TRMWSEB - 4 - 01A2 - RT		9.1	4.1	10.7	7.9			
TRMWSEB - 5 - 01A2 - RT		11.3	6.1	11.9	8.9			
TRMWSEB - 6 - 01A2 - RT		12.9	7.6					



Part number example -  
 Nylon 6/6 V2 = TRMWSEB-1-01A2-RT

### Stand-Off Harness Clip | TRSHK

Type: Stand-off Harness Clip  
 Material: Nylon 6/6 V2 / TMS 001  
 Nylon 6/6 V0 / TMS 019  
 Colour: Natural  
 Hole:  $4.75 \pm 0.05$  mm  
 Panel Thickness: 1.6 mm  
 Unit: mm



Part Number	"A" ± 0.4
TRSHK - 6 - 01	6.0
TRSHK - 8 - 01	8.0
TRSHK - 10 - 01	10.0
TRSHK - 12 - 01	12.0
TRSHK - 14 - 01	14.0
TRSHK - 16 - 01	16.0
TRSHK - 18 - 01	18.0
TRSHK - 20 - 01	20.0
TRSHK - 22 - 01	22.0
TRSHK - 24 - 01	24.0
TRSHK - 26 - 01	26.0
TRSHK - 28 - 01	28.0

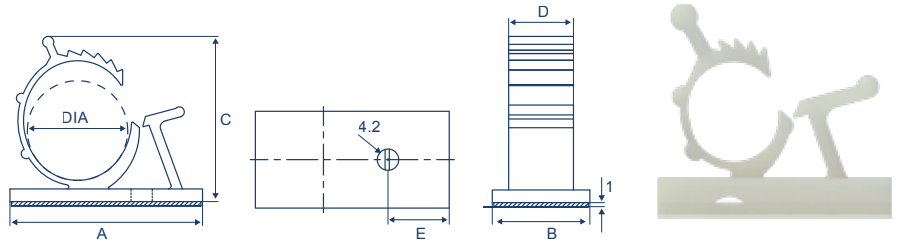


Part number example -  
 Nylon 6/6 V2 = TRSHK-28-01  
 Nylon 6/6 V0 = TRSHK-28-19

### Releaseable Adjustable Clip with Adhesive Base | TRAKKL

Type Adjustable Clip Release  
Adhesive Base  
Material Nylon 6/6 V2 / TMS 001  
Colour Natural  
Unit mm  
Standard Pack 1,000 per bag

Adjustable to hold various cable diameters  
Locks securely and can be re-opened



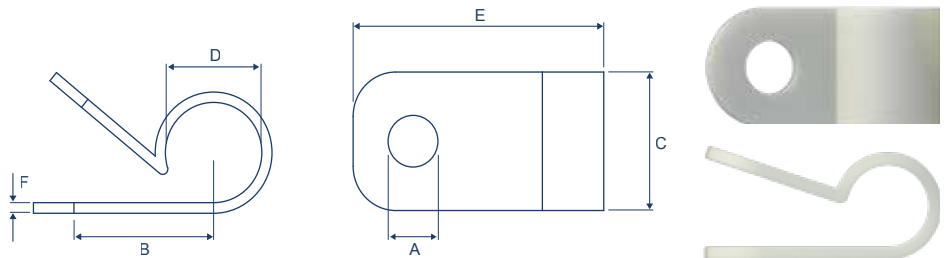
Part Number	Adhesive Size	"A"	"B"	"C"	"D"	"E"	"DIA"
TRAKKL - 2140A4-RT	21.6x16.5x0.8	21.6	16.5	18.0	10.0	8.0	5.5 ~ 6.5
TRAKKL - 3140A4 - RT	25.4x19.0x0.8	25.4	19.1	22.0	10.2	9.0	7.0 ~ 10.3
TRAKKL - 4756A4 - RT	31.5x19.0x0.8	31.5		27.7		10.0	11.9 ~ 14.3
TRAKKL - 5775A4 - RT	38.1x19.0x0.8	38.1		32.8	12.7	12.0	14.7 ~ 19.1
TRAKKL - 8710A4 - RT	50.5x25.0x0.8	50.5	25.4	44.5		16.0	22.2 ~ 25.4



Part number example -  
Nylon 6/6 V2 = TRAKKL-3140A4-RT

### P Clips | TRUC

Type P Clip  
Material Nylon 6/6 V2 / TMS 001  
Colour Natural / Black  
Unit mm  
Standard Pack 100 per bag



Part Number	A	B	C	Bundle Dia. (D)	E	F	
TRUC-0	4.8	8.0	9.6	3.2 (1/8")	17.0	1.2	
TRUC-0.5		9.2		4.8 (3/16")	18.6		
TRUC-1	4.6	10.0	10.0	6.35 (1/4")	20.0	1.4	
TRUC-1.5		12.0		7.9 (5/16")	22.0		
TRUC -2		12.5		9.5 (3/8")	24.0		
TRUC-3	5.0	15.2	12.0	12.7 (1/2")	31.0	1.5	
TRUC-4	4.6	18.2	11.8	15.8 (5/8")	34.3		
TRUC-5				19.4 (3/4")	35.0		
TRUC-6				22.0	25.4 (1")	43.0	
TRUC-6.5	4.6	24.0	12.0	27.5 (1 1/16")	50.0	1.8	
TRUC-7				26.2	31.8 (1 1/4")		46.2
TRUC-9				30.0	36.7 (1 1/2")		50.0



Part number example -  
Nylon 6/6 V2 = TRUC-0.5-Black

The following material specification is used for identification of manufacturers materials and their properties. All data is obtained from the suppliers of raw materials. It does not represent a binding guarantee. TR Fastenings reserve the right to change manufacturer without notice.

The test material according to UL (Underwriter's Laboratories Inc.) allow classification of polymers according to their flame retardance.

With a horizontal and vertical test of fire behaviour under the influence of an open flame. Detailed information on UL, can be downloaded at [www.ul.com](http://www.ul.com). The ratings are: UL94 -HB/V2/V1/V0

The temperature ranges of the various materials are guidelines received from the respective raw material manufacturers. It does not represent a binding guarantee. TR Fastenings reserve the right to change manufacturer without notice.

TMS Nr.	Material	UL-File Nr.	UL Classification	RoHS Compliant	Material Temperature Range					
					°C			°F		
001	Nylon 6/6	E70062	V2	Yes	-40	-	85	-4	-	185
003	PC	E45587	HB	Yes	-40	-	115	-40	-	239
008	PP	E63499	HB	Yes	0	-	65	32	-	149
014	POM Acetal	E38860	HB	Yes	-50	-	90	-58	-	194
019	Nylon 6/6	E70062	V0	Yes	-40	-	105	-40	-	221
026	PVC	E54709	V0	Yes	0	-	105	32	-	221
039	POM Acetal	E66288	HB	Yes	-40	-	100	-40	-	212
042	TPR	E80017	HB	Yes	-60	-	135	-76	-	275
052	Nylon 6	E41871	V2	Yes	-40	-	65	-40	-	149
072	PC Polycarbonate	E123529	V2	Yes	-40	-	80	-40	-	176
103	Nylon 66/6	E41871	V0	Yes	-40	-	65	-40	-	149
120	Nylon 6	E119177	V2	Yes	-40	-	152	-40	-	306
158	TPV	E80017	HB	Yes	-50	-	90	-58	-	194
173	Nylon 6 Glass Filled	E76261	HB	Yes	-20	-	140	-4	-	284

## RoHS Directives

RoHS (Restriction on Hazardous Substances) refers to the Directive 2002/95/EC of the European Parliament of 27 January 2003 - This directive bans from 1 July 2006, the subsequent use of hazardous substances in electrical and electronic equipment. Lead, mercury, cadmium, hexavalent chromium, polybrominated Biphenlye (PBB), polybrominated biphenyl ethers (PBDEs).

The WEEE (Waste Electronic Equipment) refers to Directive 2002/95/EC of the European Parliament of 27 January 2003. This policy is primarily to avoid the waste of electrical and electronic equipment, as well as their recycling. Please contact us if you need information regarding the RoHS or WEEE.

*All data has been provided by the manufacturers of the raw materials available. It does not represent a binding guarantee TR Fastenings reserve right to change manufacturer without notice. TR Fastenings assumes no responsibility. All information (images, drawings, specifications) in this catalogue are not binding commitments and must be checked independently by the user to ensure product is fit for purpose. Technical changes are always reserved.*





## Nylon (ROHS)

The material used for the moulded products is Nylon. Its many compositions have most of the properties that are required in the electrical/electronic industry such as:

- **Light weight**
- **Strength** at low and high temperature
- **Resistance** to impact, abrasion, organic solvents and gasoline
- **Retention of shape** and stiffness at high temperature
- **Flammability rating**
- Colour: **natural and black**. All other RAL-Colours on request
- **ROHS** - Material suppliers to certify compliance with the Restriction of Hazardous Substances in electrical & electronic products
- **Cost Reduction** where single application plastic part can replace multiple existing parts.
- **Moisture**: Nylon parts are **hygroscopic** (ability to hold water molecules drawn in from its surroundings). Therefore, when injection moulded, nylon parts **retain latent heat** from the manufacturing process and **continue to absorb moisture**. All of our parts have **water added** before being packed in **sealed plastic bags** to ensure the integrity of the material and to prevent the parts from becoming brittle  
**We strongly recommend continued storage of plastic parts in sealed bags**
- **Shelf Life**: All nylon products need be stored in the original, **unopened bag at 22°C to 35°C** and **50% relative humidity** if these conditions are met the shelf life will be one year from the date of shipment
- **UL Flame Rating**: UL94 classifications V0, V1, V2 and HB describe the flame retardancy levels for a given resin. V0 rated resins typically have the highest flame resistance followed by V1, V2 and HB
- **Tolerances**: ,xx ± 0,25

## Acrylic Adhesive Tape

- **Material Properties**: Excellent surface adhesion, high bond, weatherproof and solvent resistant, superior performance to Rubber based adhesive with less slip at higher temperatures
- **Shelf Life**: The adhesive used has a shelf live of 12 months if stored correctly. Adhesive parts should be stored in the **original bags at room temperature of 22°C to 35°C**
- **Surface**: The bonding surface must be **clean, uniform, dry** and **free of condensation**
- Do not use on **fabric or rough, loose surfaces**
- **Release Tab**: Remove the liner being very careful not to touch the adhesive surface and then quickly and firmly rub the product into place. **Firm pressure** is needed to ensure full contact
- **Tapes are not UL-rated**
- Material temperature range is: **-20°C to +60°C**

## Quality

- All material is **ISO 14001/2004** compliant.



Scan to go to our knowledge base

[www.trfastenings.com](http://www.trfastenings.com)



**UK**  
t: +44 (0)8454 811 800 f: +44 (0)870 458 7851  
e-mail: uk@trfastenings.com

**Ireland**  
t: +353 (0)22 22301 f: +353 (0)22 22056  
e-mail: ireland@trfastenings.com

**Netherlands**  
t: +31 (0)541 511515 f: +31 (0)541 517134  
e-mail: netherlands@trfastenings.com

**Norway**  
t: +47 67 06 70 00 f: +47 67 06 70 10  
e-mail: norway@trfastenings.com

**Sweden**  
t: +46 (0)8 578 44 900 f: +46 (0)8 578 44 950  
e-mail: sweden@trfastenings.com

**Spain**  
t: +34 93 647 22 45  
e-mail: spain@trfastenings.com

**Hungary**  
t: +36 (06)24 516970 f: +36 (06)24 516961  
e-mail: hungary@trfastenings.com

**Poland - Representative**  
t: +48 (22)402 36 14 f: +48 (22)402 36 24  
e-mail: poland@trfastenings.com

**Italy**  
t: +39 (0)75 9149015 f: +39 (0)75 9190165  
e-mail: info@trvic.it

**Germany**  
t: +49 (0) 5246 . 50320 - 0 f: +49 (0) 5246 . 50320 - 70  
e-mail: info@trkuhlmann.com

**Slovakia - Representative**  
m: +421(0)911 012 016  
e-mail: slovakia@trfastenings.com

**USA**  
t: +1 800-280-2181 f: +1 281-807-0620  
e-mail: usa@trfastenings.com

**Singapore**  
t: +65 6759 6033 f: +65 6759 6022  
e-mail: singapore@trfastenings.com

**Malaysia**  
t: +6 (03) 5519 1444 f: +6 (03) 5510 8505  
e-mail: psep@psep.com.my

**China**  
t: +86 21 5032 5696 f: +86 21 5032 5775  
e-mail: china@trfastenings.com

**Taiwan**  
t: +886 7 557 6366 f: +886 7 557 1977  
e-mail: taiwan@trfastenings.com

**Philippines - Representative Office**  
t: +63-25768476  
e-mail: philippines@trfastenings.com

**India**  
t: +91 (0)44 4280 3932  
e-mail: india@trfastenings.com

**Thailand**  
t: +66(0)20413 340 f: +66(0)20413 340  
e-mail: thailand@trfastenings.com

**Japan - Representative**  
t: +81(0)70 4467 1118  
e-mail: japan@trfastenings.com

## Technical and Innovation Centres

**Birmingham - UK**  
t: +44 (0)121 521 0100 f: +44 (0)121 521 0101  
e-mail: wednesbury@trfastenings.com

**Gothenburg - Sweden**  
t: +46 (0)31 31 760 776 f: +46 (0)8 578 44 950  
e-mail: sweden@trfastenings.com

**CUICAR - South Carolina USA**  
t: +1 800 280 2181 f: +1 281 807 0620  
e-mail: usa@trfastenings.com

[sales@trfastenings.com](mailto:sales@trfastenings.com)

[www.trfastenings.com](http://www.trfastenings.com)

[info@trfastenings.com](mailto:info@trfastenings.com)



Master Distributor Details